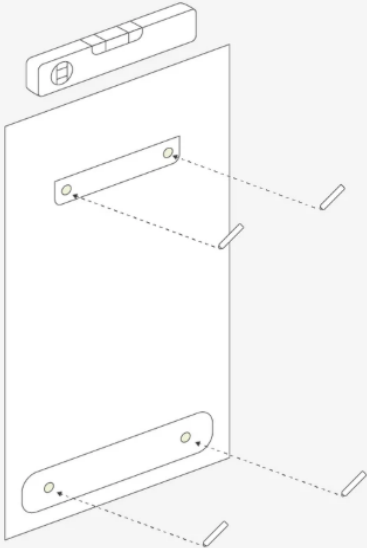
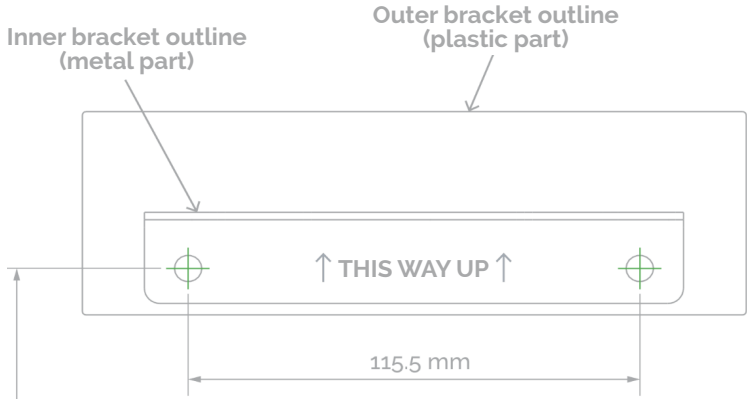


DD8L Bracket Instruction Manual



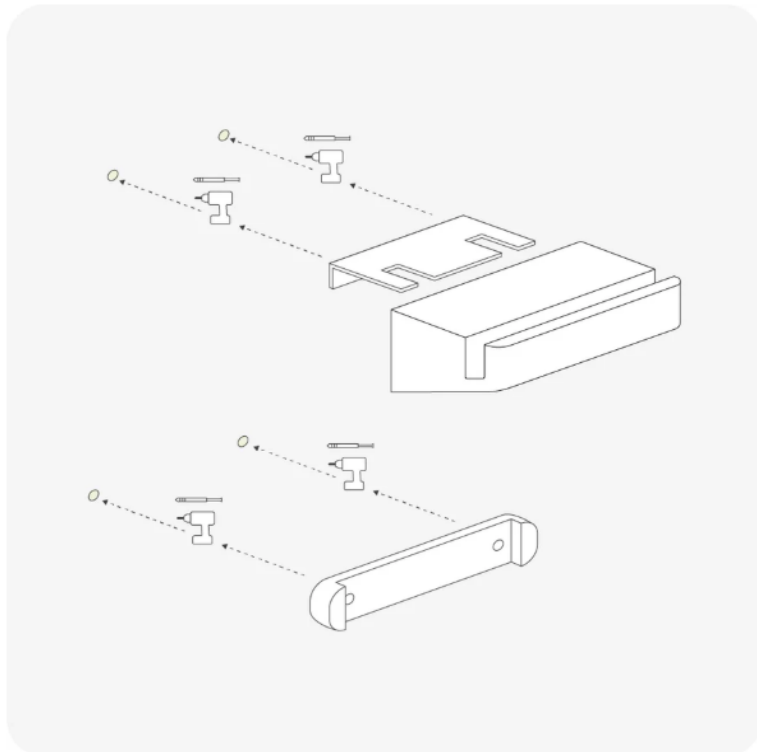
1. Using a spirit level mark the positions for the four fixing holes.



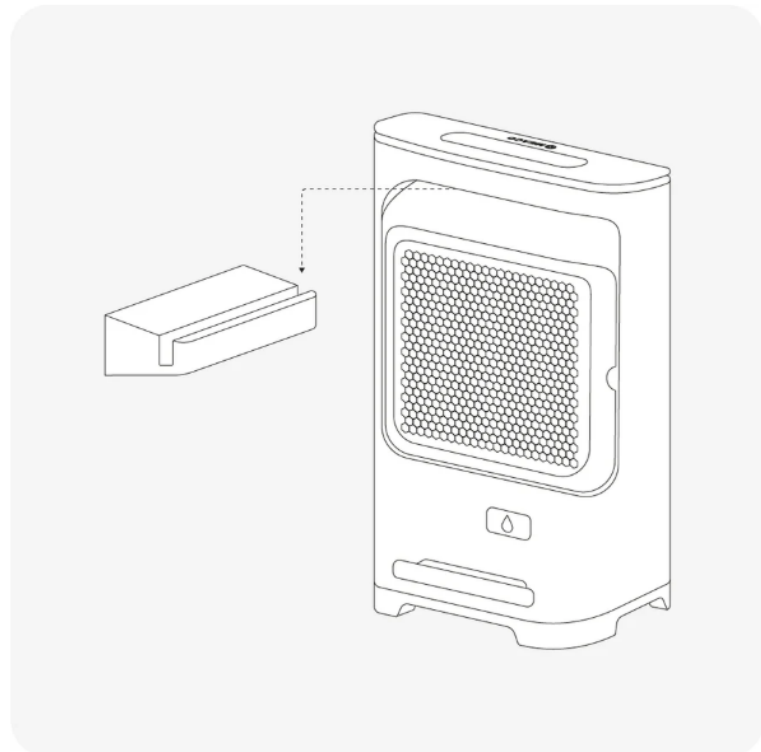
455.5 mm



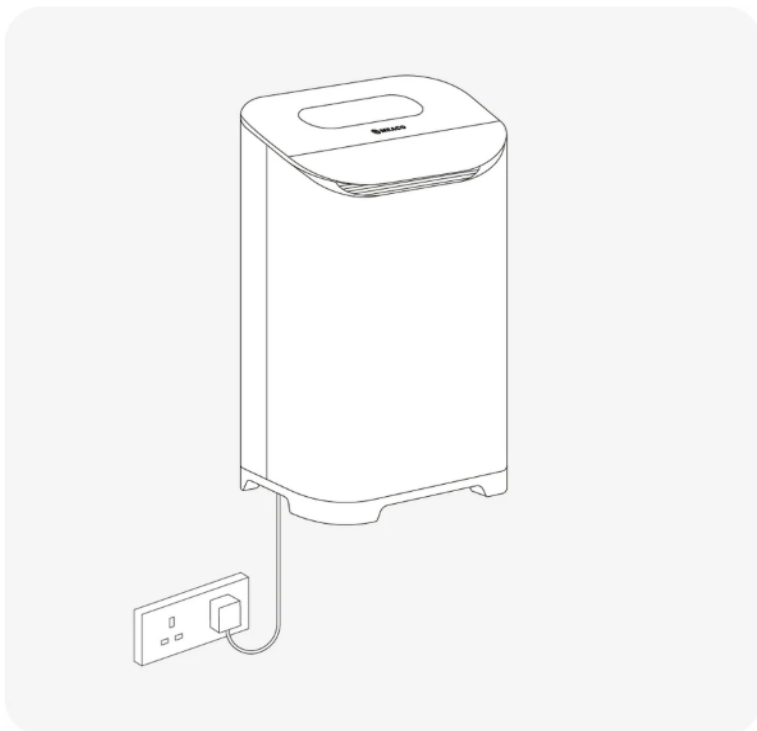
DD8L Bracket Instruction Manual



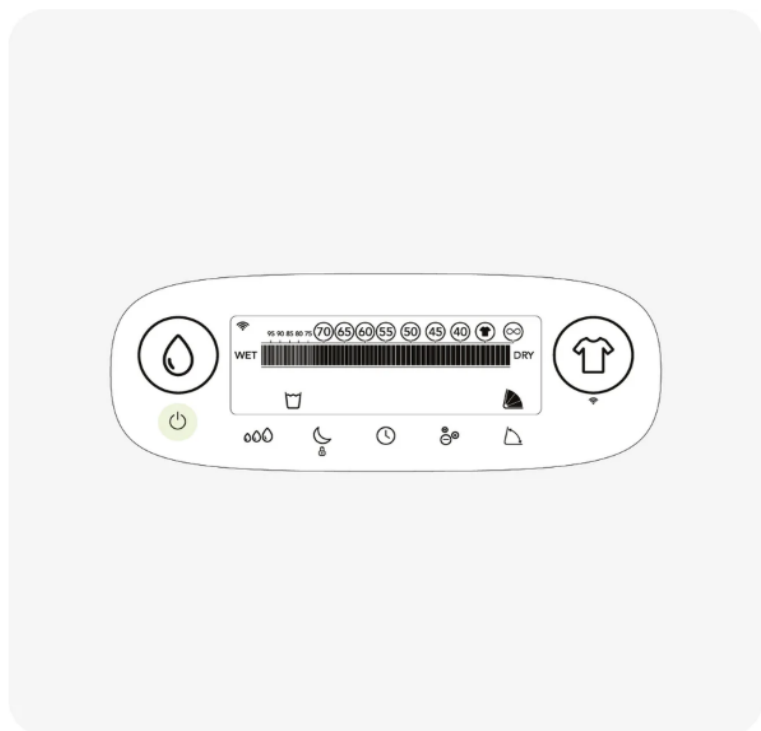
2. Drill the holes and secure the wall brackets using fixings suitable for your wall type.



3. With the dehumidifier facing you, lift it carefully and use the carry handle at the rear top of the unit to hook it securely onto the upper wall bracket.



4. Connect the mains power cable. If you wish, set up the optional continuous drainage system.



5. Switch on your dehumidifier and enjoy hassle-free operation.